

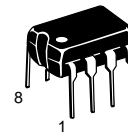
# Highly Flexible Voltage Comparators

The ability to operate from a single power supply of 5.0 V to 30 V or  $\pm 15$  V split supplies, as commonly used with operational amplifiers, makes the LM211/LM311 a truly versatile comparator. Moreover, the inputs of the device can be isolated from system ground while the output can drive loads referenced either to ground, the  $V_{CC}$  or the  $V_{EE}$  supply. This flexibility makes it possible to drive DTL, RTL, TTL, or MOS logic. The output can also switch voltages to 50 V at currents to 50 mA. Thus the LM211/LM311 can be used to drive relays, lamps or solenoids.

## LM311 LM211

### HIGH PERFORMANCE VOLTAGE COMPARATORS

#### SEMICONDUCTOR TECHNICAL DATA



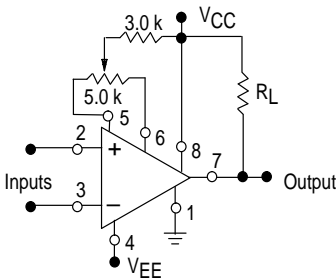
**N SUFFIX**  
PLASTIC PACKAGE  
CASE 626



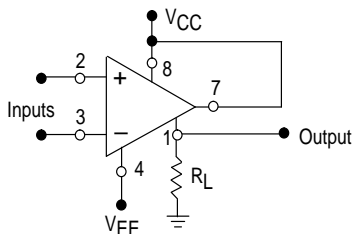
**D SUFFIX**  
PLASTIC PACKAGE  
CASE 751  
(SO-8)

#### Typical Comparator Design Configurations

##### Split Power Supply with Offset Balance

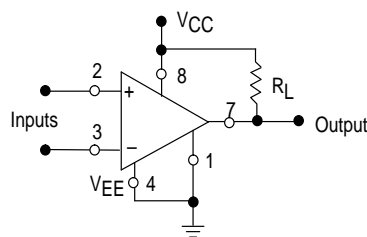


##### Ground-Referred Load

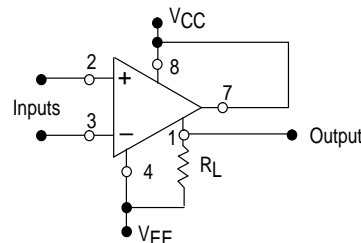


Input polarity is reversed when Gnd pin is used as an output.

##### Single Supply

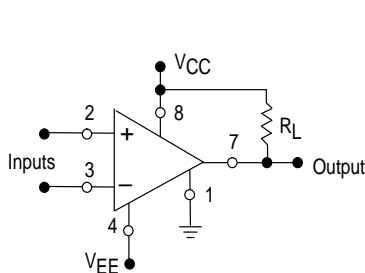


##### Load Referred to Negative Supply

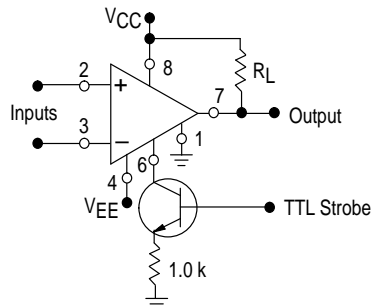


Input polarity is reversed when Gnd pin is used as an output.

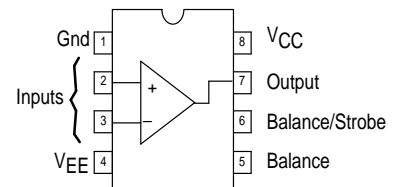
##### Load Referred to Positive Supply



##### Strobe Capability



#### PIN CONNECTIONS



(Top View)

#### ORDERING INFORMATION

| Device           | Operating Temperature Range             | Package             |
|------------------|-----------------------------------------|---------------------|
| LM211D           | $T_A = 25^\circ$ to $+85^\circ\text{C}$ | SO-8                |
| LM311D<br>LM311N | $T_A = 0^\circ$ to $+70^\circ\text{C}$  | SO-8<br>Plastic DIP |

# LM311 LM211

## MAXIMUM RATINGS (T<sub>A</sub> = +25°C, unless otherwise noted.)

| Rating                                                                                              | Symbol                   | LM211                  | LM311                  | Unit        |
|-----------------------------------------------------------------------------------------------------|--------------------------|------------------------|------------------------|-------------|
| Total Supply Voltage                                                                                | $V_{CC} +  V_{EE} $      | 36                     | 36                     | Vdc         |
| Output to Negative Supply Voltage                                                                   | $V_O - V_{EE}$           | 50                     | 40                     | Vdc         |
| Ground to Negative Supply Voltage                                                                   | $V_{EE}$                 | 30                     | 30                     | Vdc         |
| Input Differential Voltage                                                                          | $V_{ID}$                 | ±30                    | ±30                    | Vdc         |
| Input Voltage (Note 2)                                                                              | $V_{in}$                 | ±15                    | ±15                    | Vdc         |
| Voltage at Strobe Pin                                                                               | –                        | $V_{CC}$ to $V_{CC}-5$ | $V_{CC}$ to $V_{CC}-5$ | Vdc         |
| Power Dissipation and Thermal Characteristics<br>Plastic DIP<br>Derate Above T <sub>A</sub> = +25°C | $P_D$<br>$1/\theta_{JA}$ | 625<br>5.0             |                        | mW<br>mW/°C |
| Operating Ambient Temperature Range                                                                 | T <sub>A</sub>           | –25 to +85             | 0 to +70               | °C          |
| Operating Junction Temperature                                                                      | T <sub>J(max)</sub>      | +150                   | +150                   | °C          |
| Storage Temperature Range                                                                           | T <sub>stg</sub>         | –65 to +150            | –65 to +150            | °C          |

## ELECTRICAL CHARACTERISTICS (V<sub>CC</sub> = +15 V, V<sub>EE</sub> = –15 V, T<sub>A</sub> = 25°C, unless otherwise noted [Note 1].)

| Characteristic                                                                                                                                                                                                                                                                                                                                                                                    | Symbol           | LM211 |                  |       | LM311 |                  |       | Unit           |
|---------------------------------------------------------------------------------------------------------------------------------------------------------------------------------------------------------------------------------------------------------------------------------------------------------------------------------------------------------------------------------------------------|------------------|-------|------------------|-------|-------|------------------|-------|----------------|
|                                                                                                                                                                                                                                                                                                                                                                                                   |                  | Min   | Typ              | Max   | Min   | Typ              | Max   |                |
| Input Offset Voltage (Note 3)<br>R <sub>S</sub> ≤ 50 kΩ, T <sub>A</sub> = +25°C<br>R <sub>S</sub> ≤ 50 kΩ, T <sub>low</sub> ≤ T <sub>A</sub> ≤ T <sub>high</sub> *                                                                                                                                                                                                                                | V <sub>IO</sub>  | –     | 0.7              | 3.0   | –     | 2.0              | 7.5   | mV             |
| Input Offset Current (Note 3) T <sub>A</sub> = +25°C<br>T <sub>low</sub> ≤ T <sub>A</sub> ≤ T <sub>high</sub> *                                                                                                                                                                                                                                                                                   | I <sub>IO</sub>  | –     | 1.7              | 10    | –     | 1.7              | 50    | nA             |
| Input Bias Current T <sub>A</sub> = +25°C<br>T <sub>low</sub> ≤ T <sub>A</sub> ≤ T <sub>high</sub> *                                                                                                                                                                                                                                                                                              | I <sub>IB</sub>  | –     | 45               | 100   | –     | 45               | 250   | nA             |
| Voltage Gain                                                                                                                                                                                                                                                                                                                                                                                      | A <sub>V</sub>   | 40    | 200              | –     | 40    | 200              | –     | V/mV           |
| Response Time (Note 4)                                                                                                                                                                                                                                                                                                                                                                            |                  | –     | 200              | –     | –     | 200              | –     | ns             |
| Saturation Voltage<br>V <sub>ID</sub> ≤ –5.0 mV, I <sub>O</sub> = 50 mA, T <sub>A</sub> = 25°C<br>V <sub>ID</sub> ≤ –10 mV, I <sub>O</sub> = 50 mA, T <sub>A</sub> = 25°C<br>V <sub>CC</sub> ≥ 4.5 V, V <sub>EE</sub> = 0, T <sub>low</sub> ≤ T <sub>A</sub> ≤ T <sub>high</sub> *<br>V <sub>ID</sub> ≤ 6.0 mV, I <sub>sink</sub> ≤ 8.0 mA<br>V <sub>ID</sub> ≤ 10 mV, I <sub>sink</sub> ≤ 8.0 mA | V <sub>OL</sub>  | –     | 0.75             | 1.5   | –     | –                | –     | V              |
| Strobe "On" Current (Note 5)                                                                                                                                                                                                                                                                                                                                                                      | I <sub>S</sub>   | –     | 3.0              | –     | –     | 3.0              | –     | mA             |
| Output Leakage Current<br>V <sub>ID</sub> ≥ 5.0 mV, V <sub>O</sub> = 35 V, T <sub>A</sub> = 25°C, I <sub>strobe</sub> = 3.0 mA<br>V <sub>ID</sub> ≥ 10 mV, V <sub>O</sub> = 35 V, T <sub>A</sub> = 25°C, I <sub>strobe</sub> = 3.0 mA<br>V <sub>ID</sub> ≥ 5.0 mV, V <sub>O</sub> = 35 V, T <sub>low</sub> ≤ T <sub>A</sub> ≤ T <sub>high</sub> *                                                 |                  | –     | 0.2              | 10    | –     | –                | –     | nA<br>nA<br>μA |
| Input Voltage Range (T <sub>low</sub> ≤ T <sub>A</sub> ≤ T <sub>high</sub> *)                                                                                                                                                                                                                                                                                                                     | V <sub>ICR</sub> | –14.5 | –14.7 to<br>13.8 | +13.0 | –14.5 | –14.7 to<br>13.8 | +13.0 | V              |
| Positive Supply Current                                                                                                                                                                                                                                                                                                                                                                           | I <sub>CC</sub>  | –     | +2.4             | +6.0  | –     | +2.4             | +7.5  | mA             |
| Negative Supply Current                                                                                                                                                                                                                                                                                                                                                                           | I <sub>EE</sub>  | –     | –1.3             | –5.0  | –     | –1.3             | –5.0  | mA             |

\* T<sub>low</sub> = –25°C for LM211  
= 0°C for LM311

T<sub>high</sub> = +85°C for LM211  
= +70°C for LM311

- NOTES:**
- Offset voltage, offset current and bias current specifications apply for a supply voltage range from a single 5.0 V supply up to ±15 V supplies.
  - This rating applies for ±15 V supplies. The positive input voltage limit is 30 V above the negative supply. The negative input voltage limit is equal to the negative supply voltage or 30 V below the positive supply, whichever is less.
  - The offset voltages and offset currents given are the maximum values required to drive the output within a volt of either supply with a 1.0 mA load. Thus, these parameters define an error band and take into account the "worst case" effects of voltage gain and input impedance.
  - The response time specified is for a 100 mV input step with 5.0 mV overdrive.
  - Do not short the strobe pin to ground; it should be current driven at 3.0 mA to 5.0 mA.

# LM311 LM211

Figure 1. Circuit Schematic

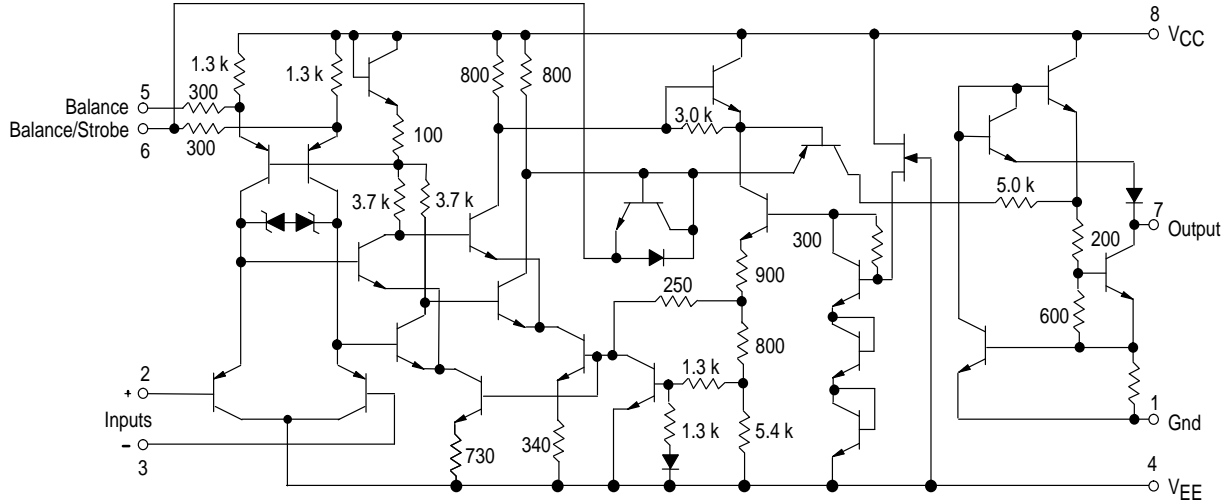


Figure 2. Input Bias Current versus Temperature

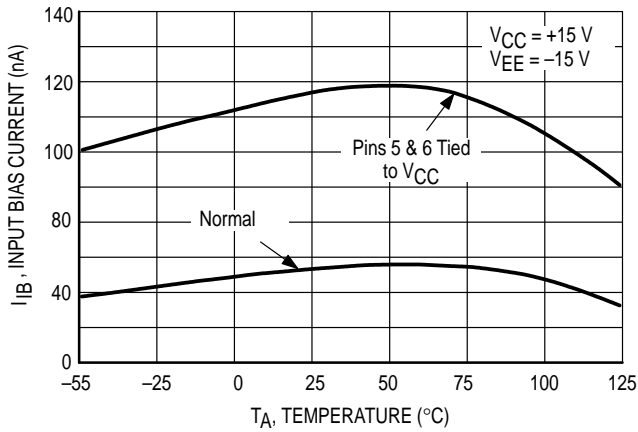


Figure 3. Input Offset Current versus Temperature

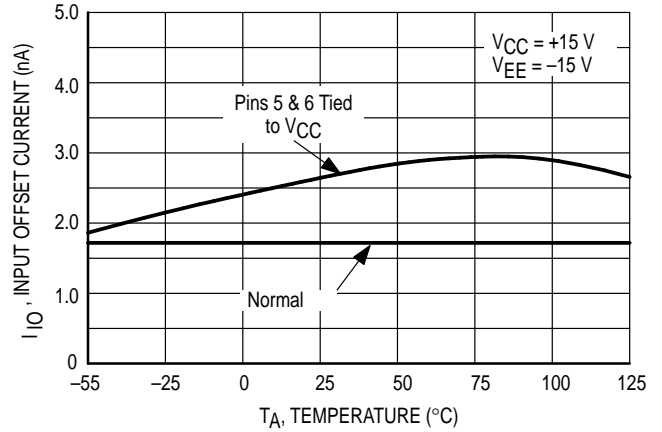


Figure 4. Input Bias Current versus Differential Input Voltage

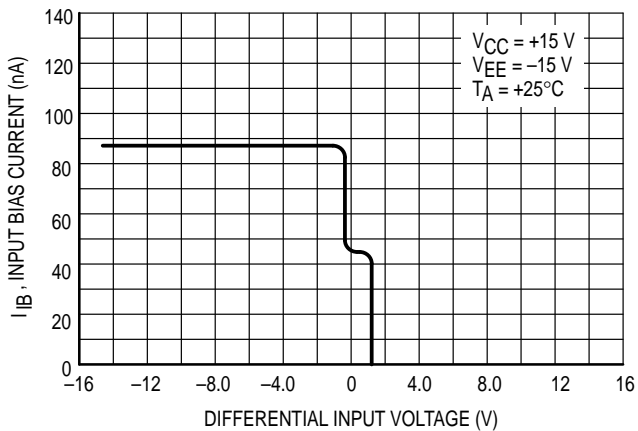


Figure 5. Common Mode Limits versus Temperature

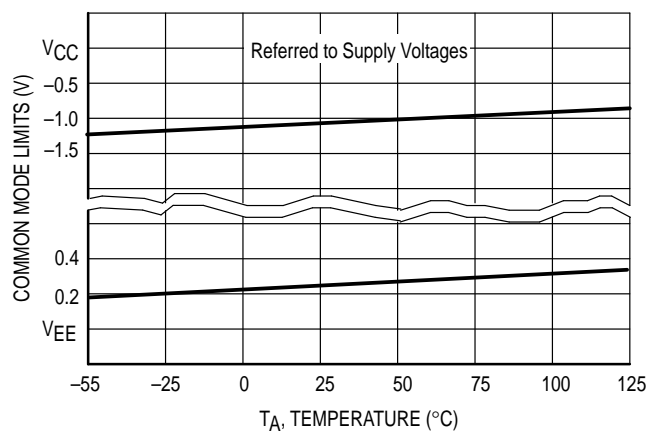


Figure 6. Response Time for Various Input Overdrives

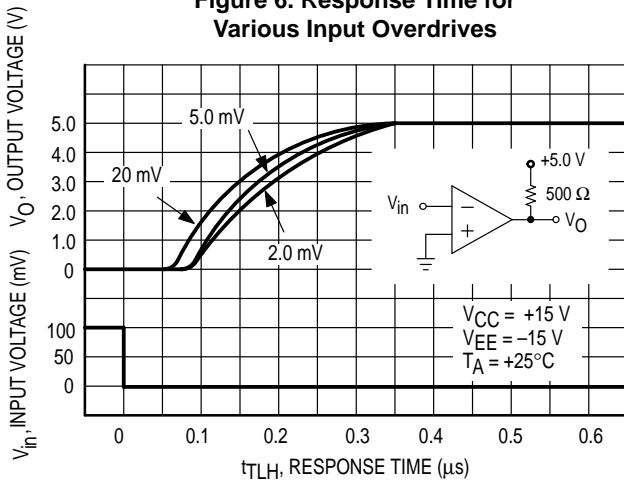


Figure 7. Response Time for Various Input Overdrives

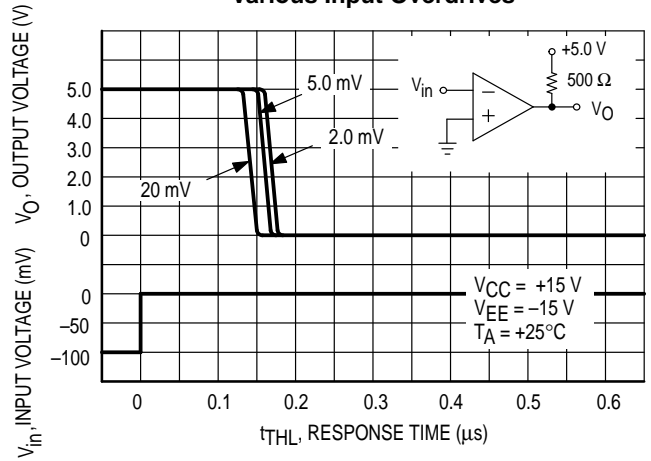


Figure 8. Response Time for Various Input Overdrives

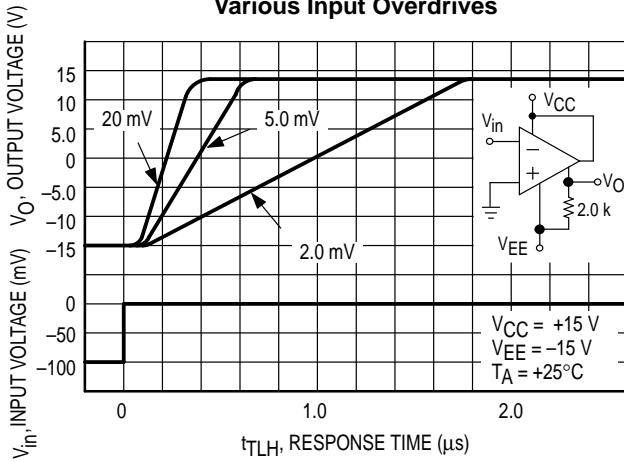


Figure 9. Response Time for Various Input Overdrives

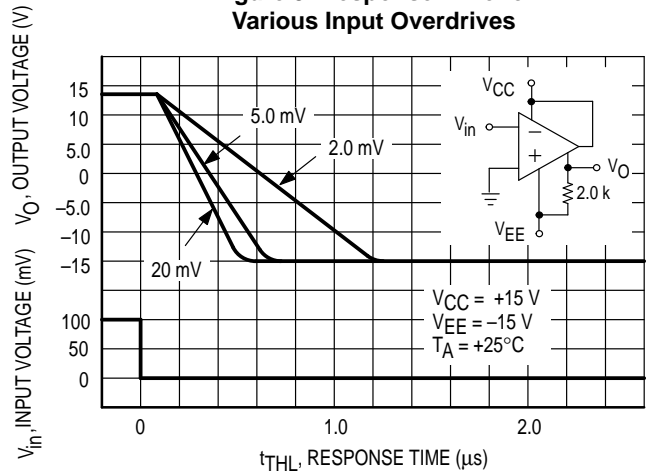


Figure 10. Output Short Circuit Current Characteristics and Power Dissipation

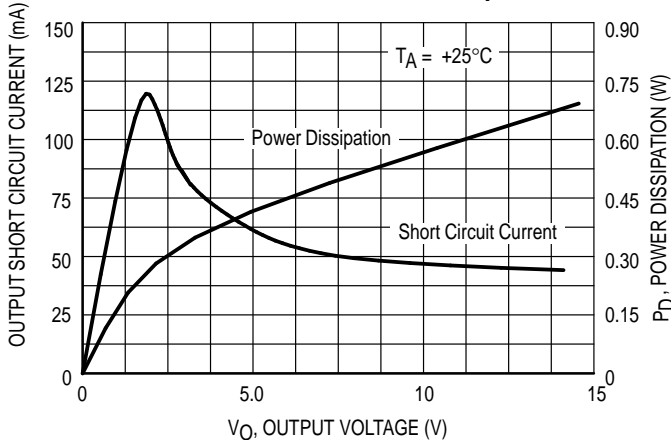
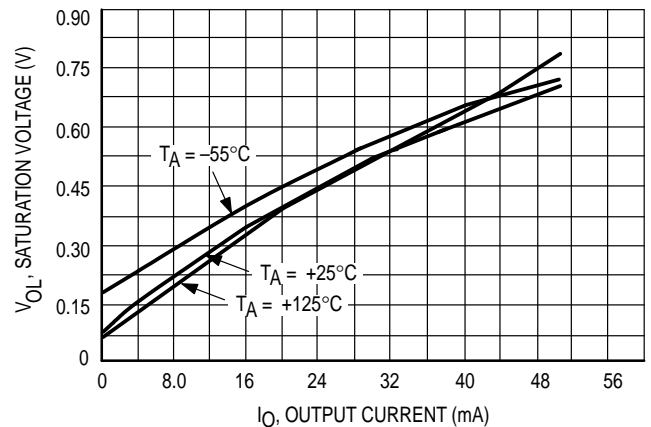
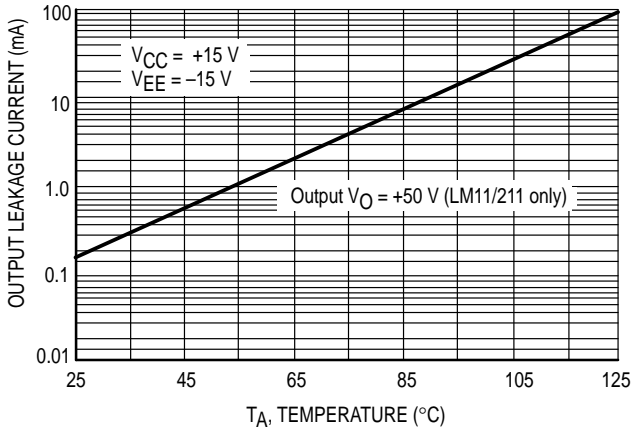


Figure 11. Output Saturation Voltage versus Output Current

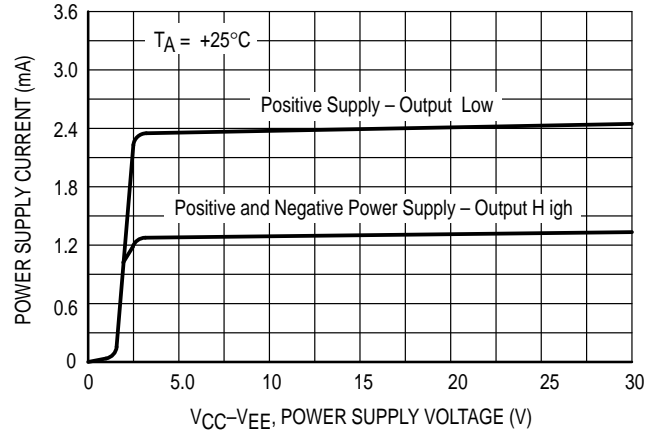


# LM311 LM211

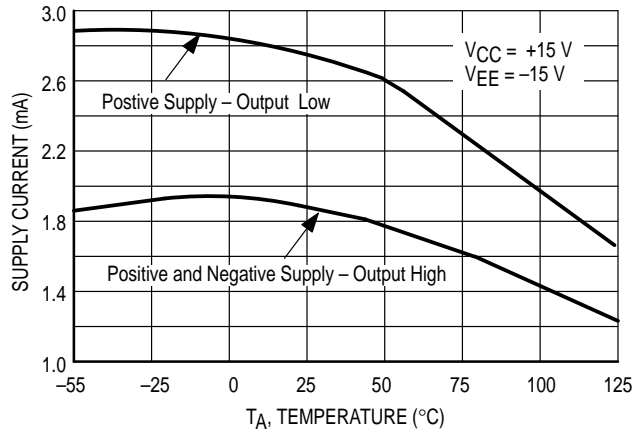
**Figure 12. Output Leakage Current versus Temperature**



**Figure 13. Power Supply Current versus Supply Voltage**

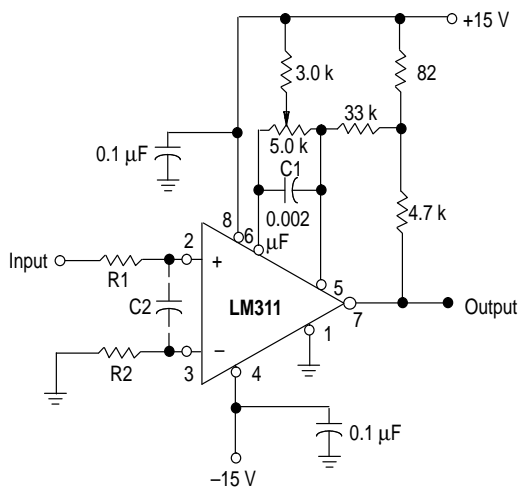


**Figure 14. Power Supply Current versus Temperature**

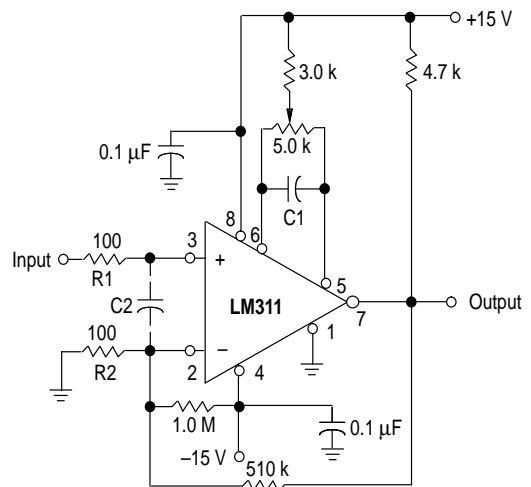


## APPLICATIONS INFORMATION

**Figure 15. Improved Method of Adding Hysteresis Without Applying Positive Feedback to the Inputs**



**Figure 16. Conventional Technique for Adding Hysteresis**



TECHNIQUES FOR AVOIDING OSCILLATIONS IN COMPARATOR APPLICATIONS

When a high speed comparator such as the LM211 is used with high speed input signals and low source impedances, the output response will normally be fast and stable, providing the power supplies have been bypassed (with 0.1  $\mu\text{F}$  disc capacitors), and that the output signal is routed well away from the inputs (Pins 2 and 3) and also away from Pins 5 and 6.

However, when the input signal is a voltage ramp or a slow sine wave, or if the signal source impedance is high (1.0 k $\Omega$  to 100 k $\Omega$ ), the comparator may burst into oscillation near the crossing-point. This is due to the high gain and wide bandwidth of comparators like the LM211 series. To avoid oscillation or instability in such a usage, several precautions are recommended, as shown in Figure 15.

The trim pins (Pins 5 and 6) act as unwanted auxiliary inputs. If these pins are not connected to a trim-pot, they should be shorted together. If they are connected to a trim-pot, a 0.01  $\mu\text{F}$  capacitor (C1) between Pins 5 and 6 will minimize the susceptibility to AC coupling. A smaller capacitor is used if Pin 5 is used for positive feedback as in Figure 15. For the fastest response time, tie both balance pins to  $V_{CC}$ .

Certain sources will produce a cleaner comparator output waveform if a 100 pF to 1000 pF capacitor (C2) is connected directly across the input pins. When the signal source is applied through a resistive network, R1, it is usually advantageous to choose R2 of the same value, both for DC and for dynamic (AC) considerations. Carbon, tin-oxide, and metal-film resistors have all been used with good results in comparator input circuitry, but inductive wirewound resistors should be avoided.

When comparator circuits use input resistors (e.g., summing resistors), their value and placement are particularly important. In all cases the body of the resistor should be close to the device or socket. In other words, there should be a very short lead length or printed-circuit foil run between comparator and resistor to radiate or pick up signals. The same applies to capacitors, pots, etc. For example, if R1 = 10 k $\Omega$ , as little as 5 inches of lead between the resistors and the input pins can result in oscillations that are very hard to dampen. Twisting these input leads tightly is the best alternative to placing resistors close to the comparator.

Since feedback to almost any pin of a comparator can result in oscillation, the printed-circuit layout should be engineered thoughtfully. Preferably there should be a groundplane under the LM211 circuitry (e.g., one side of a double layer printed circuit board). Ground, positive supply or negative supply foil should extend between the output and the inputs to act as a guard. The foil connections for the inputs should be as small and compact as possible, and should be essentially surrounded by ground foil on all sides to guard against capacitive coupling from any fast high-level signals (such as the output). If Pins 5 and 6 are not used, they should be shorted together. If they are connected to a trim-pot, the trim-pot should be located no more than a few inches away from the LM211, and a 0.01  $\mu\text{F}$  capacitor should be installed across Pins 5 and 6. If this capacitor cannot be used, a shielding printed-circuit foil may be advisable between Pins 6 and 7. The power supply bypass capacitors should be located within a couple inches of the LM211.

A standard procedure is to add hysteresis to a comparator to prevent oscillation, and to avoid excessive noise on the output. In the circuit of Figure 16, the feedback resistor of 510 k $\Omega$  from the output to the positive input will cause about 3.0 mV of hysteresis. However, if R2 is larger than 100  $\Omega$ , such as 50 k $\Omega$ , it would not be practical to simply increase the value of the positive feedback resistor proportionally above 510 k $\Omega$  to maintain the same amount of hysteresis.

When both inputs of the LM211 are connected to active signals, or if a high-impedance signal is driving the positive input of the LM211 so that positive feedback would be disruptive, the circuit of Figure 15 is ideal. The positive feedback is applied to Pin 5 (one of the offset adjustment pins). This will be sufficient to cause 1.0 mV to 2.0 mV hysteresis and sharp transitions with input triangle waves from a few Hz to hundreds of kHz. The positive-feedback signal across the 82  $\Omega$  resistor swings 240 mV below the positive supply. This signal is centered around the nominal voltage at Pin 5, so this feedback does not add to the offset voltage of the comparator. As much as 8.0 mV of offset voltage can be trimmed out, using the 5.0 k $\Omega$  pot and 3.0 k $\Omega$  resistor as shown.

Figure 17. Zero-Crossing Detector Driving CMOS Logic

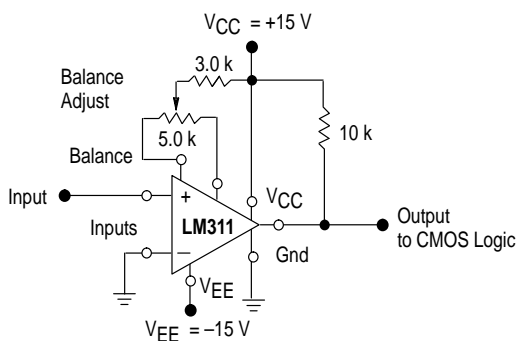
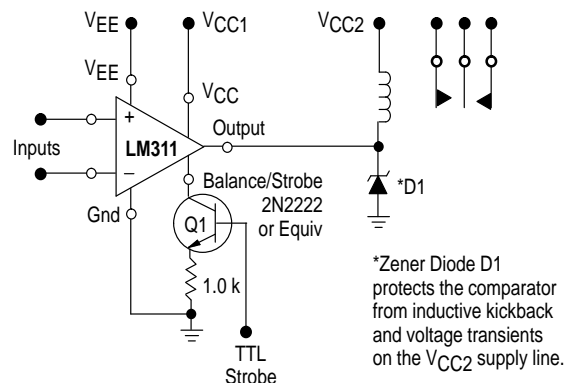


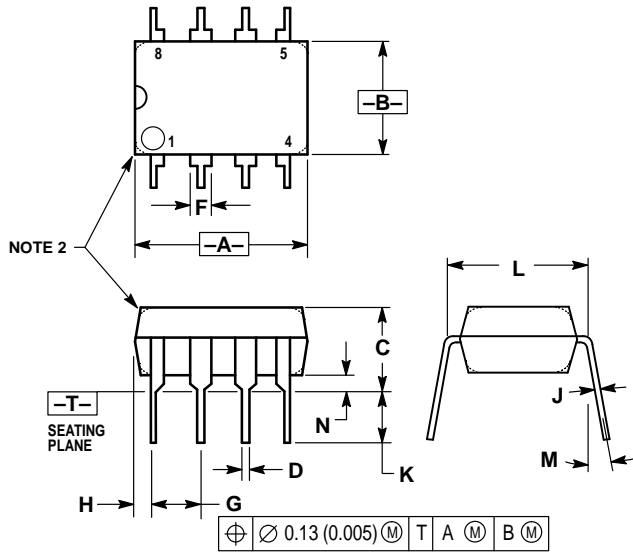
Figure 18. Relay Driver with Strobe Capability



# LM311 LM211

## OUTLINE DIMENSIONS

### N SUFFIX PLASTIC PACKAGE CASE 626-05 ISSUE K

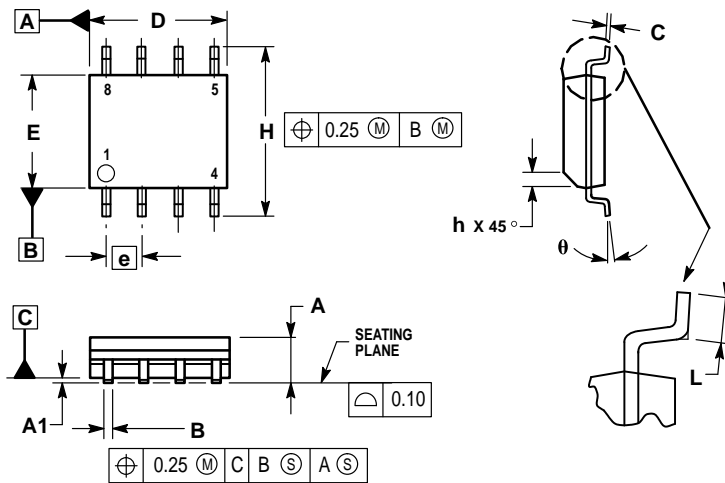


NOTES:

1. DIMENSION L TO CENTER OF LEAD WHEN FORMED PARALLEL.
2. PACKAGE CONTOUR OPTIONAL (ROUND OR SQUARE CORNERS).
3. DIMENSIONING AND TOLERANCING PER ANSI Y14.5M, 1982.

| DIM | MILLIMETERS |       | INCHES    |       |
|-----|-------------|-------|-----------|-------|
|     | MIN         | MAX   | MIN       | MAX   |
| A   | 9.40        | 10.16 | 0.370     | 0.400 |
| B   | 6.10        | 6.60  | 0.240     | 0.260 |
| C   | 3.94        | 4.45  | 0.155     | 0.175 |
| D   | 0.38        | 0.51  | 0.015     | 0.020 |
| F   | 1.02        | 1.78  | 0.040     | 0.070 |
| G   | 2.54 BSC    |       | 0.100 BSC |       |
| H   | 0.76        | 1.27  | 0.030     | 0.050 |
| J   | 0.20        | 0.30  | 0.008     | 0.012 |
| K   | 2.92        | 3.43  | 0.115     | 0.135 |
| L   | 7.62 BSC    |       | 0.300 BSC |       |
| M   | —           |       | 10°       |       |
| N   | 0.76        | 1.01  | 0.030     | 0.040 |

### D SUFFIX PLASTIC PACKAGE CASE 751-05 (SO-8) ISSUE R




NOTES:

1. DIMENSIONING AND TOLERANCING PER ASME Y14.5M, 1994.
2. DIMENSIONS ARE IN MILLIMETERS.
3. DIMENSION D AND E DO NOT INCLUDE MOLD PROTRUSION.
4. MAXIMUM MOLD PROTRUSION 0.15 PER SIDE.
5. DIMENSION B DOES NOT INCLUDE MOLD PROTRUSION. ALLOWABLE DAMBAR PROTRUSION SHALL BE 0.127 TOTAL IN EXCESS OF THE B DIMENSION AT MAXIMUM MATERIAL CONDITION.

| DIM | MILLIMETERS |      |
|-----|-------------|------|
|     | MIN         | MAX  |
| A   | 1.35        | 1.75 |
| A1  | 0.10        | 0.25 |
| B   | 0.35        | 0.49 |
| C   | 0.18        | 0.25 |
| D   | 4.80        | 5.00 |
| E   | 3.80        | 4.00 |
| e   | 1.27 BSC    |      |
| H   | 5.80        | 6.20 |
| h   | 0.25        | 0.50 |
| L   | 0.40        | 1.25 |
| θ   | 0° 7°       |      |

# LM311 LM211

Motorola reserves the right to make changes without further notice to any products herein. Motorola makes no warranty, representation or guarantee regarding the suitability of its products for any particular purpose, nor does Motorola assume any liability arising out of the application or use of any product or circuit, and specifically disclaims any and all liability, including without limitation consequential or incidental damages. "Typical" parameters which may be provided in Motorola data sheets and/or specifications can and do vary in different applications and actual performance may vary over time. All operating parameters, including "Typicals" must be validated for each customer application by customer's technical experts. Motorola does not convey any license under its patent rights nor the rights of others. Motorola products are not designed, intended, or authorized for use as components in systems intended for surgical implant into the body, or other applications intended to support or sustain life, or for any other application in which the failure of the Motorola product could create a situation where personal injury or death may occur. Should Buyer purchase or use Motorola products for any such unintended or unauthorized application, Buyer shall indemnify and hold Motorola and its officers, employees, subsidiaries, affiliates, and distributors harmless against all claims, costs, damages, and expenses, and reasonable attorney fees arising out of, directly or indirectly, any claim of personal injury or death associated with such unintended or unauthorized use, even if such claim alleges that Motorola was negligent regarding the design or manufacture of the part. Motorola and  are registered trademarks of Motorola, Inc. Motorola, Inc. is an Equal Opportunity/Affirmative Action Employer.

#### How to reach us:

**USA/EUROPE/Locations Not Listed:** Motorola Literature Distribution;  
P.O. Box 20912; Phoenix, Arizona 85036. 1-800-441-2447 or 602-303-5454

**MFAX:** RMFAX0@email.sps.mot.com – TOUCHTONE 602-244-6609  
**INTERNET:** <http://Design-NET.com>

**JAPAN:** Nippon Motorola Ltd.; Tatsumi-SPD-JLDC, 6F Seibu-Butsuryu-Center,  
3-14-2 Tatsumi Koto-Ku, Tokyo 135, Japan. 03-81-3521-8315

**ASIA/PACIFIC:** Motorola Semiconductors H.K. Ltd.; 8B Tai Ping Industrial Park,  
51 Ting Kok Road, Tai Po, N.T., Hong Kong. 852-26629298



LM311/D

